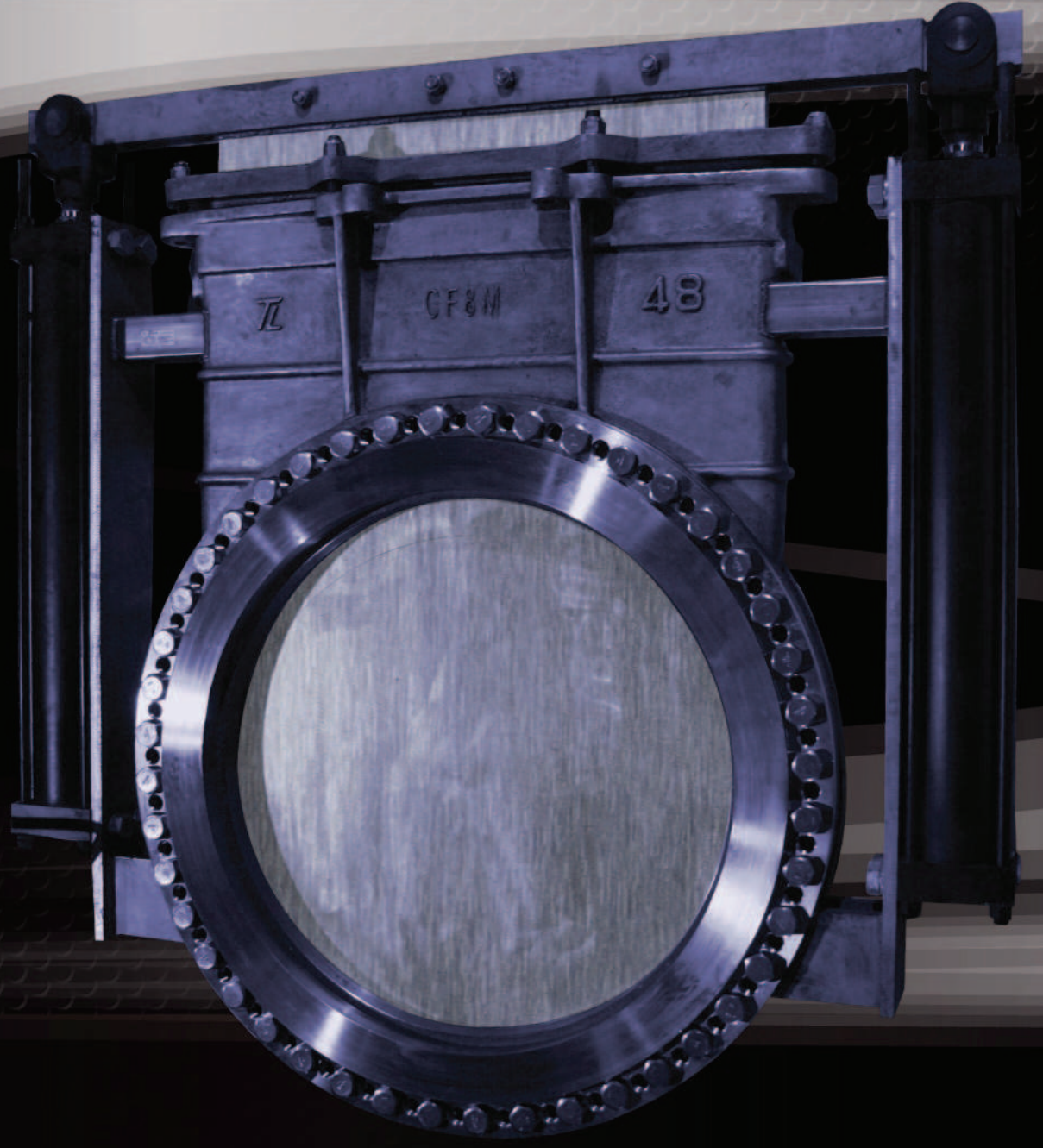




# TRUELINE®



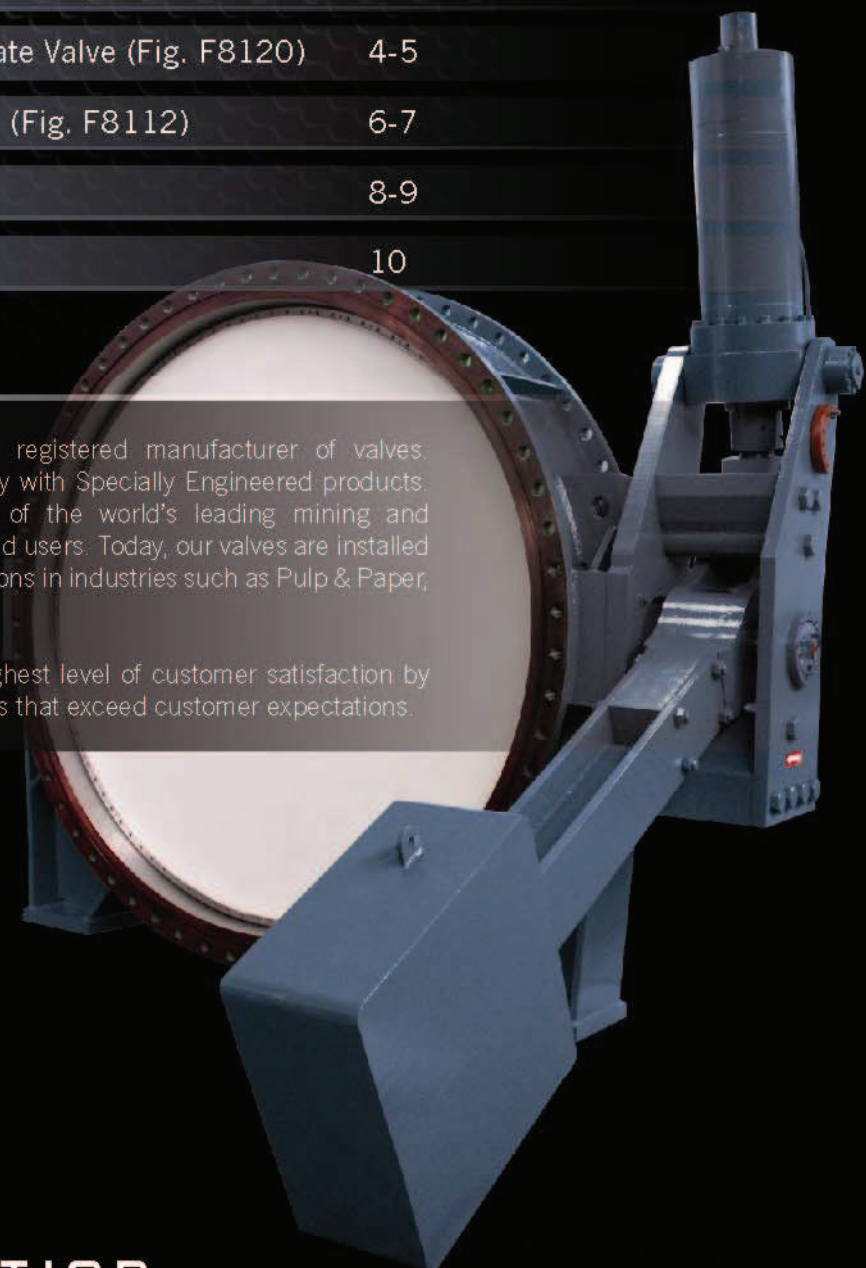
SPECIALTY ENGINEERED PRODUCTS

# INDEX

Cast Scavenger Service Knife Gate Valve (Fig. F8112)	2-3
Machined from Plate 'O' Port Knife Gate Valve (Fig. F8120)	4-5
Machined from Plate Knife Gate Valve (Fig. F8112)	6-7
Automation and Custom Options	8-9
Hardening Processes	10

Trueline Valve Corporation is ISO9001:2008 registered manufacturer of valves. Trueline, for many years, has provided industry with Specially Engineered products. Our products have been selected by most of the world's leading mining and engineering construction firms and industrial end users. Today, our valves are installed throughout the world, handling various applications in industries such as Pulp & Paper, Chemical Plants, Petrochemical and Mining.

Trueline is totally committed to provide the highest level of customer satisfaction by producing and distributing high quality products that exceed customer expectations.



## SERVICE APPLICATION

Pulp and paper industry • Chemical Plants • Steel Mills • Petrochemical • Sewage Treatment Industry



## CAST SCAVENGER SERVICE KNIFE GATE VALVE

### 2" to 48"

Fig. F8112

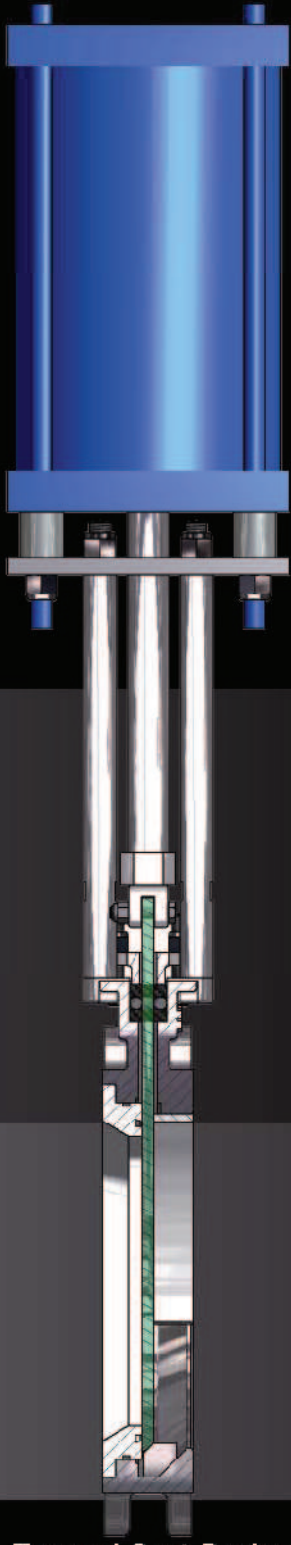
- = Cast bodies extra heavy to sustain pipe stress and pressure up to 225 psig (2" – 16" investment cast)
- = Flanges match ANSI B16.5 standard.
- = HT-65 Scraper seat design standard on scavenger service knife gate valves.
- = Gate & seats materials will be selected for optimum life cycle depending on abrasion, number of cycles, corrosion and temperature.
- = When vibration is a problem consult factory for optional stanchion material.
- = Full lug body.
- = Available in various materials:

- |                       |                 |
|-----------------------|-----------------|
| 1. CF8/SS 304         | 9. 254 SMO      |
| 2. CF3/SS 304L        | 10. 654 SMO     |
| 3. CF8M/SS 316        | 11. Titanium    |
| 4. CF3M/SS 316L       | 12. Hastelloy B |
| 5. CG8M/SS 317        | 13. Hastelloy C |
| 6. CG3M/SS 317L       | 14. Inconel 600 |
| 7. A536/ Ductile Iron | 15. Inconel 800 |
| 8. Duplex 2205 SS     | 16. Zirconium   |



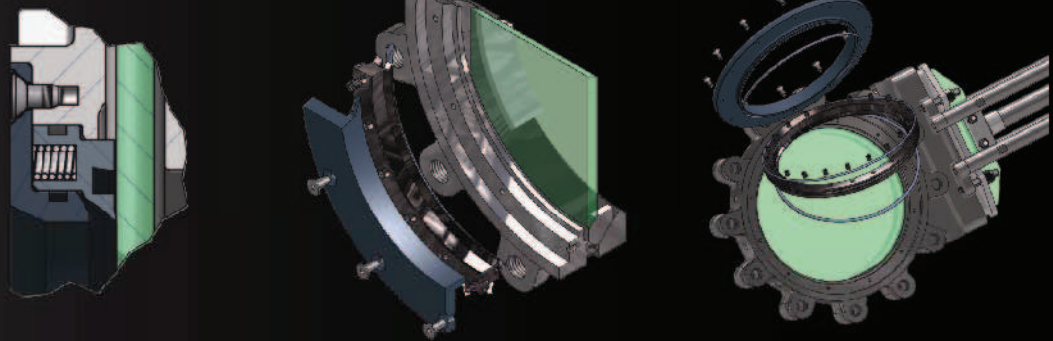
## CAST SCAVENGER SERVICE KNIFE GATE VALVE

Fig. F8112

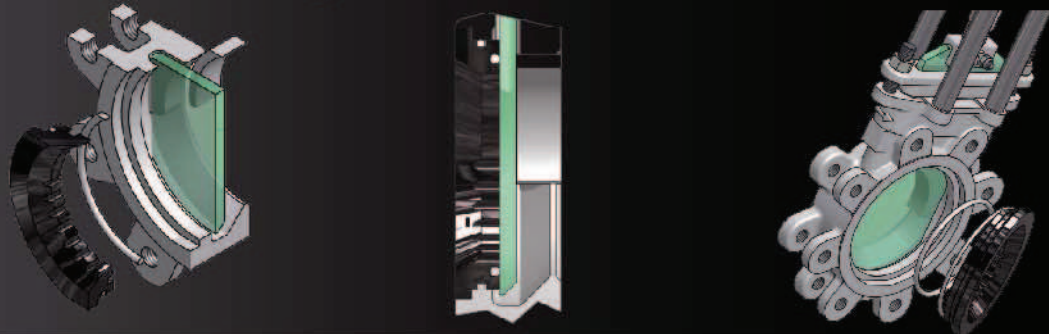


- Wire cutter seat design specifically engineered for extended performance on dumping applications, built to withstand wires, nails and other hard solids.
- Renewable tapered seat design to direct the flow of process towards the centre of the pipe on heavy slurry.
- Renewable live loaded seat design, give zero leakage performance and self compensating for wear and gate deflection.
- Dual renewable resilient seat for bidirectional tight shut-off.
- Square outlet option for Round by Square application.
- Vee port or diamond port for throttling service.
- Available accessories: positioners, limit switches, manual override, solenoids, chainwheel, gear operator, etc.

### Live Loaded seat Design



### Wire Cutter Seat Design



### Tapered Seat Design

## MACHINED FROM PLATE 'O' PORT KNIFE GATE VALVE CLASS 150, 300 & 600 2" to 48"

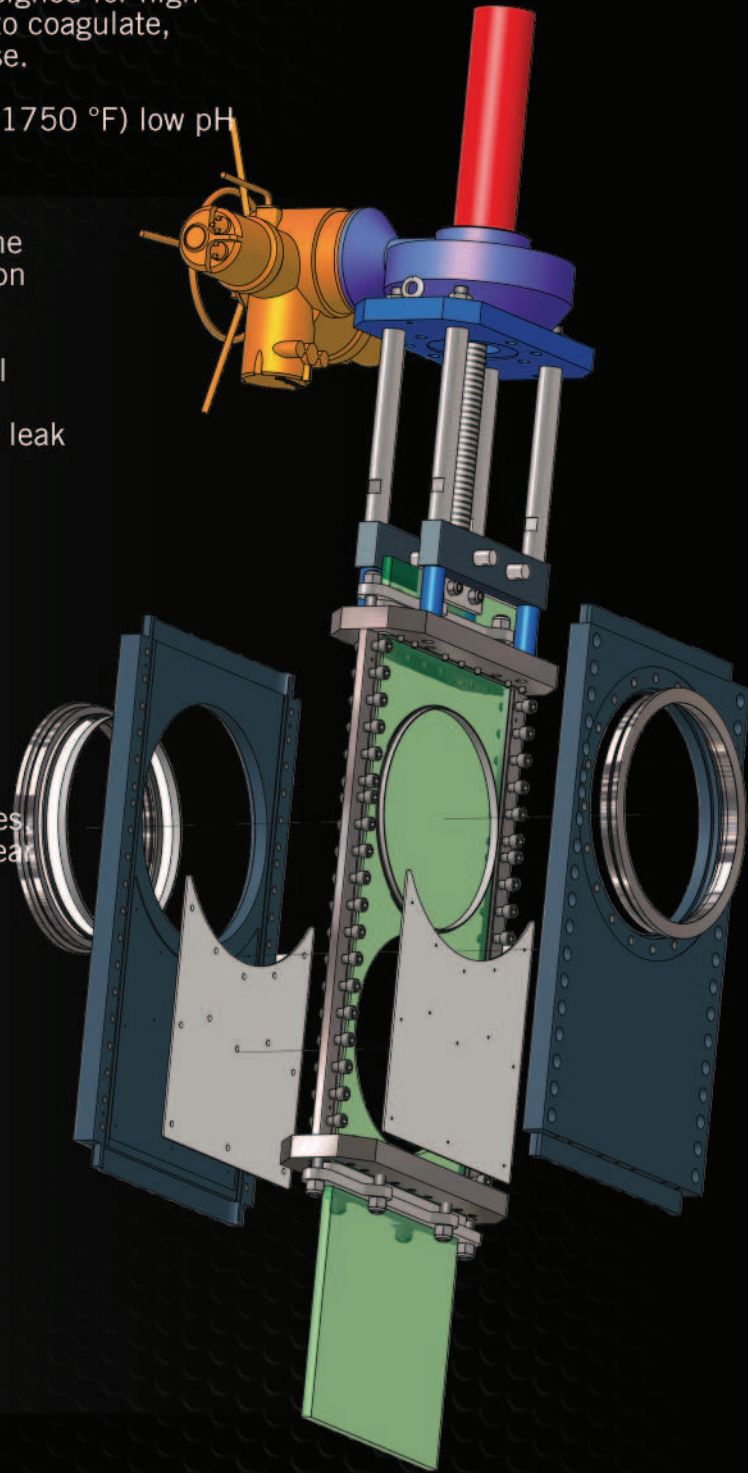
Fig. F8120

'O'-port knife gate valve design is specifically designed for high pressure service, abrasive processes which tend to coagulate, crystallize and require high torque to open & close.

This design works very well at high temperature (1750 °F) low pH acids where corrosion and erosion is a factor.

- Dual renewable tapered seat design to direct the flow of process towards the center of the pipe on heavy slurries.
- Renewable live loaded seat design with integral scraper (optional dual seats depending on the application) to provide long life and repeatable leak tight performance.
- Wire cutter seat design option available.
- Dual renewable resilient seats for bidirectional tight shut-off (zero leakage on high pressure).
- Non-shouldering option available.
- Vee port or diamond port for throttling service.
- Available accessories: positioners, limit switches, manual override, solenoids, chainwheel, and gear operator, etc.
- Available with various operators such as :

1. Epoxy coated ductile iron handwheel
2. Chainwheel
3. Bevel gears
4. Pneumatic cylinder
5. Electric actuator
6. Self containing hydraulic cylinder

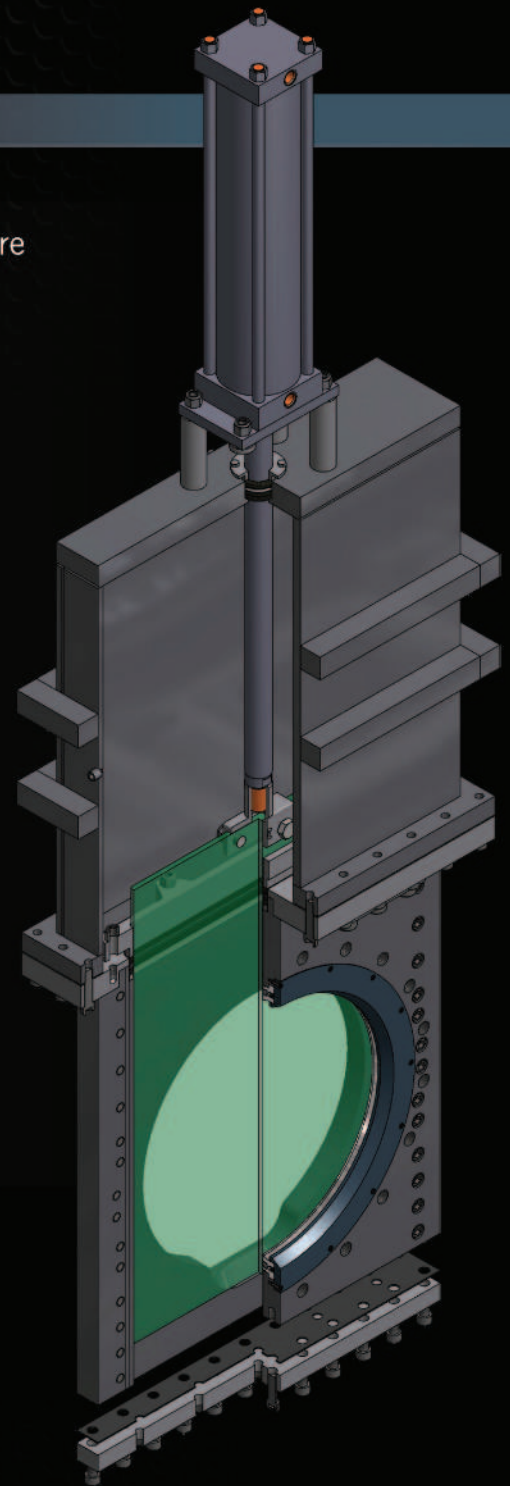


## MACHINED FROM PLATE KNIFE GATE VALVE

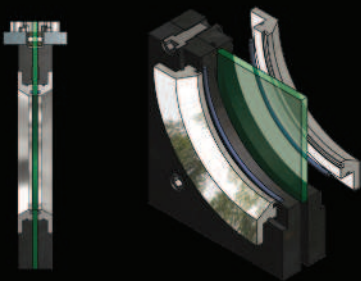
Fig. F8112

Fully machined, knife gate valve for fan pumps and high pressure applications.

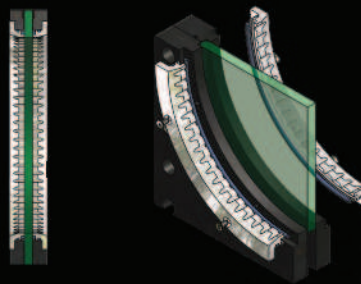
- Dual renewable tapered seat design to direct the flow of process towards the center of the pipe on heavy slurries.
- Renewable live loaded seat design with integral scraper (optional dual seats depending on the application) to provide long life and repeatable leak tight performance.
- Wire cutter seat design, specifically engineered for extended performance on dumping applications, built to withstand wires, nails and other hard solids.
- Dual renewable resilient seats for bidirectional tight shut-off (zero leakage on high pressure).
- Non-shouldering option available.
- Vee port or diamond port for throttling service.
- Available accessories: positioners, limit switches, manual override, solenoids, chainwheel, gear operator, etc.



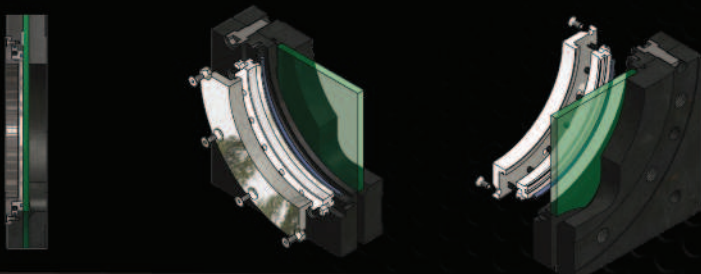
Tapered Seat Design



Wire Cutter Seat Design

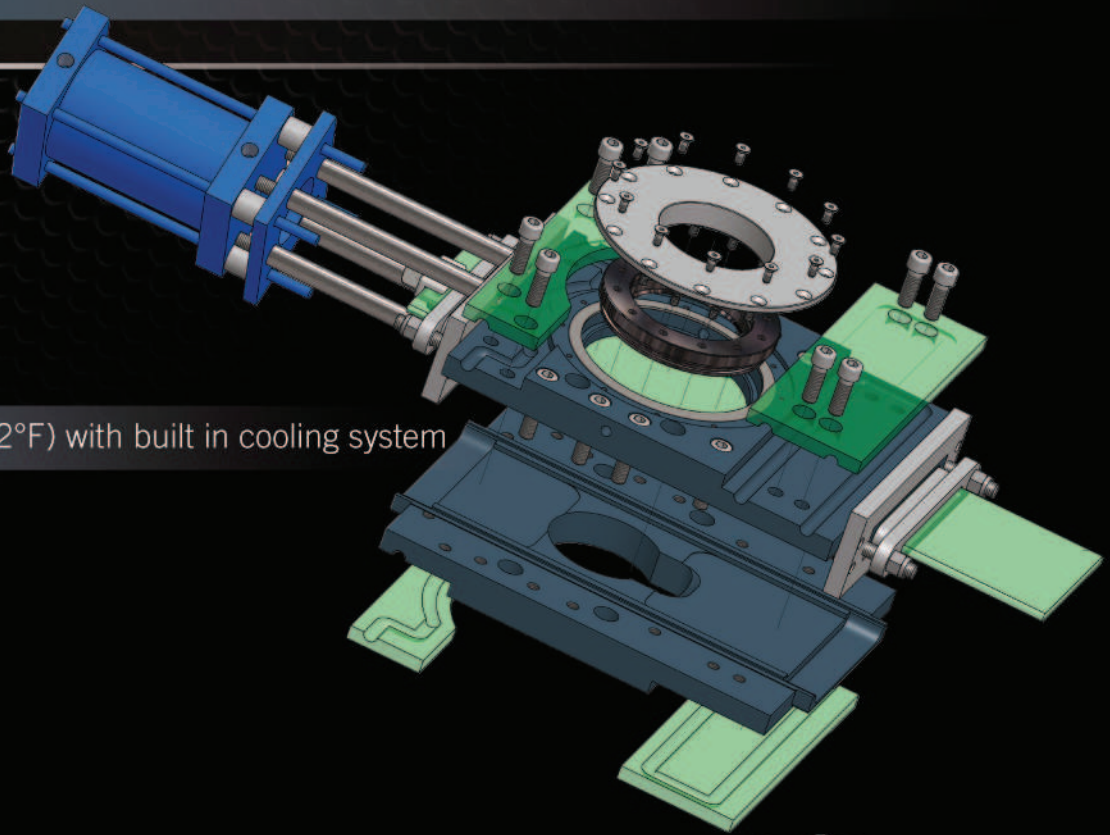


Live Loaded Seat Design

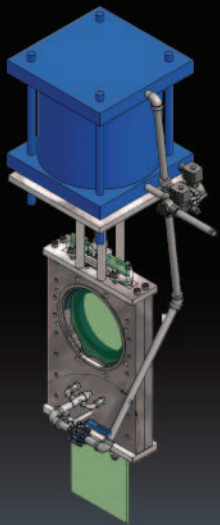


Removable bottom plate for easy access for cleaning while valve is in line.

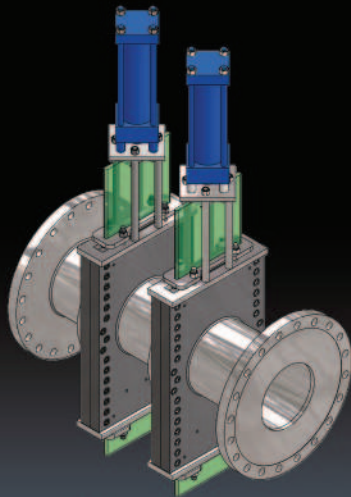
## AUTOMATION AND CUSTOM OPTIONS



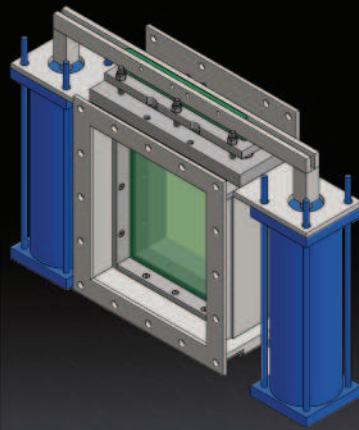
High temperature valve (1542°F) with built in cooling system



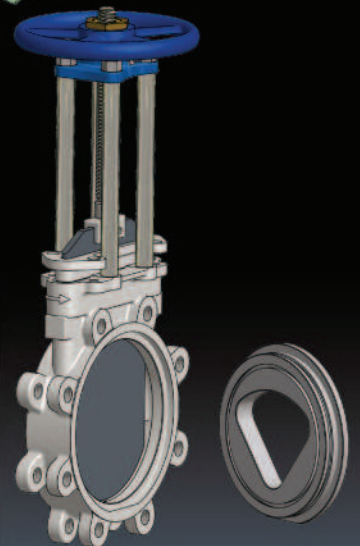
Custom valve with non shouldering option and flush ports



Valve designed specifically to customer specifications



Square valve with dual cylinders



Valve with renewable Vee port seat (45°, 60° or 75°)



**T** **TRUeline**®

**Trueline Valve Corporation**  
**La corporation de Valve Trueline**  
20675 Boul. Industriel  
Ste. Anne-de-Bellevue  
Québec, Canada, H9X 4B2

P: (514) 457-5777  
T.F.: (800) 667-4819  
F.: (514) 457-1348

[www.trueline.ca](http://www.trueline.ca)

